

Shower Diverter

50140

Ligature Resistant Shower Diverter

Materials	Listings	Certifications	Technical	Accessibility
<p>Construction: Stainless Steel/Brass Finish : Polished/Chrome</p>	<p>Patient Safety Standards, Materials and Systems Guidelines Recommended by the New York State Office of Mental Health (OMH)</p>	 <p>ASME A112.18.1 CSA B125.1 (2012)</p>	<p>Inlet: 1/2" NPT - Female Outlet: 1/2" NPT - Male Working Pressure Range: 8 - 73 psi Working Temp Range: 41°F - 194°F</p>	<p>Compliant No tight grasping, pinching, or twisting of the wrist required to activate the valve</p>

Description

The GalvinCare 50140 shower diverter has been designed to use in shower applications in behavioral health facilities. It enables care givers or patients to divert the water flow from one shower outlet to another. For example connection of a fixed shower head to our removable hand held shower assembly, providing greater flexibility for both patients and care givers.

Features

- Anti-ligature and vandal resistant design.
- Unique design concept eliminates the institutional look.
- Easy operation allows the diverter to be activated with the palm or fingers.
- Chrome plated for easy cleaning and added durability.
- Anti-rotation pin.

Technical Information

- Inlet: 1/2" NPT - Female
- Outlet: 1/2" NPT - Male
- Headwork: Diverter Cartridge
- Working Pressure Range (psi): 8 Min - 73 Max.
- Working Temperature Range (°F): 41 Min - 194 Max.
- Construction: Stainless Steel/Brass
- Finish: Polished/Chrome

Maintenance and Cleaning

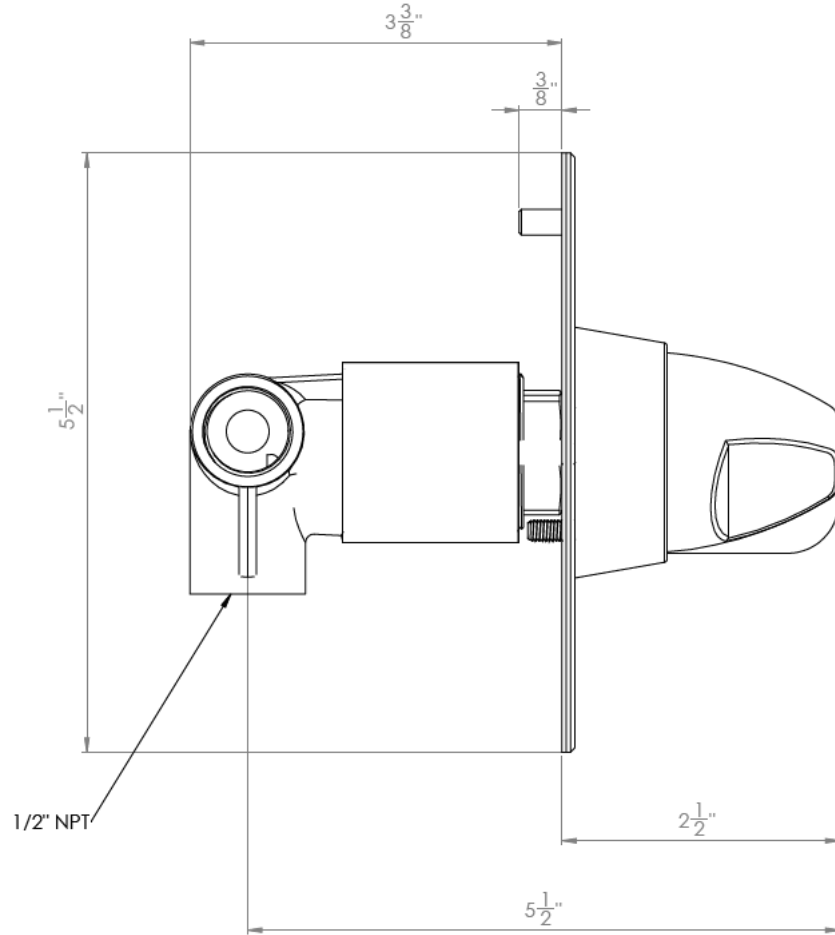
Galvin by AquaDesign products should be cleaned with a soft damp cloth using only mild liquid detergent or soap and water. Do not use cleaning agents containing a corrosive acid, scouring agent or solvents. Do not use cream cleaners, as they are abrasive. Use of unsuitable cleaning agents may damage the surface. Any damage caused in this way will not be covered by warranty.

Regular maintenance should be carried out in accordance with the installation and troubleshooting guides provided with the product, relevant standards, local authorities and state codes.



WARNING: Cancer and Reproductive Harm
www.P65Warnings.ca.gov

Dimensions



001	Base Model Number (must specify)
<input type="checkbox"/>	50140 Ligature Resistant Shower Diverter

In the absence of a legal or industry definition of anti-ligature or ligature resistant products, when we use these terms, we are referring to products that are designed and manufactured with the intention of reducing the risk of ligature attachment to the product(s). Galvin Engineering Pty Ltd will always endeavour to design and test our anti-ligature product(s) to reduce the risk of product ligature attachment that may result in serious injury or death. Whilst all reasonable measures are taken at the time of design, the anti-ligature design of the products are not intended to and will not:

- a. Replace protective measures that need to be taken in the specific circumstances of usage;
- b. Substitute the need for supervision of those who may be at risk;
- c. Protect and or prevent those at risk against any self-harm instances that may occur when installed; and
- d. Protect and or prevent injury when the risks were unknown to us at the time of the design of the product(s).

Galvin Engineering Pty Ltd and AquaDesign Manufacturing do not offer and do not represent or warrant that any product(s) for sale that are ligature-free. Therefore, Galvin Engineering and AquaDesign Manufacturing will not be liable for any claims, loss, or damages arising from ligature attachment on our products. It is the purchaser's responsibility to ensure that products purchased and installed are suitable for the environments in which they are installed, and suitable supervision and protective measures are in place to protect those at risk.

Whilst all reasonable care has been taken in compiling the information in this document, the designs, dimensions and products shown are indicative only and should not be relied upon without our prior approval. Due to our policy of continuous development, we reserve the right to alter any details of specifications or products without notice. All information, drawings, technical specifications and product designs remains the property of Galvin Engineering Pty Ltd.