



Recessed Shelf

LRWIS

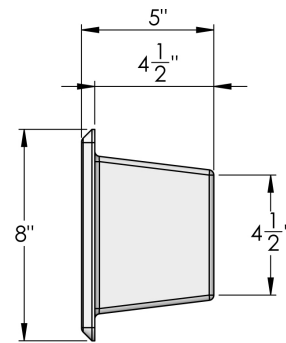
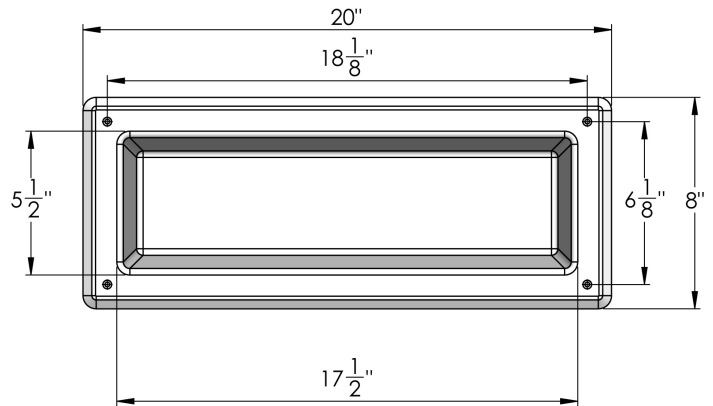
Ligature Resistant Shelf

Description


AquaDesign's recessed ligature-resistant shelf was designed with behavioral healthcare in mind. The shelf has no horizontal or vertical surfaces, making it more difficult to wedge items and as such creating a ligature point.

AquaDesign's LRWIS is made from solid surface. This gives the shelf a home-like, non-institutional, and patient-centered look that imbues healing, familiarity, and a sense of being valued.

Unlike powder coated stainless Solid Surface is soft to the touch and scratches can easily be repaired.



001	Base Model Number (must specify)	
<input type="checkbox"/>	LRWIS	Ligature Resistant Recessed Shelf
002	Color (must specify)	
<input type="checkbox"/>	-PW	Polar White



WARNING: Cancer and Reproductive Harm
www.P65Warnings.ca.gov

In the absence of a legal or industry definition of anti-ligature or ligature resistant products, when we use these terms, we are referring to products that are designed and manufactured with the intention of reducing the risk of ligature attachment to the product(s). PSD LLC will always endeavour to design and test our anti-ligature product(s) to reduce the risk of product ligature attachment that may result in serious injury or death. Whilst all reasonable measures are taken at the time of design, the anti-ligature design of the products are not intended to and will not:

- a. Replace protective measures that need to be taken in the specific circumstances of usage;
- b. Substitute the need for supervision of those who may be at risk;
- c. Protect and or prevent those at risk against any self-harm instances that may occur when installed; and
- d. Protect and or prevent injury when the risks where unknown to us at the time of the design of the product(s).

PSD LLC does not offer and does not represent or warrant that any product(s) for sale that are ligature-free. Therefore, PSD LLC will not be liable for any claims, loss, or damages arising from ligature attachment on our products. It is the purchaser's responsibility to ensure that products purchased and installed are suitable for the environments in which they are installed, and suitable supervision and protective measures are in place to protect those at risk. Whilst all reasonable care has been taken in compiling the information in this document, the designs, dimensions and products shown are indicative only and should not be relied upon without our prior approval. Due to our policy of continuous development, we reserve the right to alter any details of specifications or products without notice. All information, drawings, technical specifications and product designs remains the property of PSD LLC.