

Installation



Installation Instructions for models:

- IF3
- IF4
- IF5
- IF6
- IF8

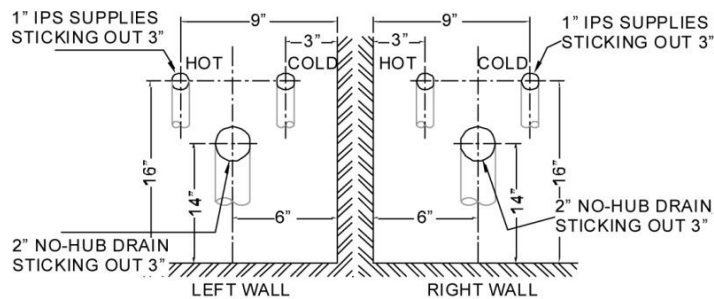
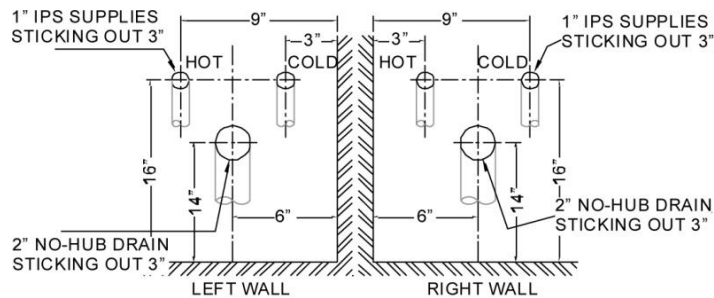
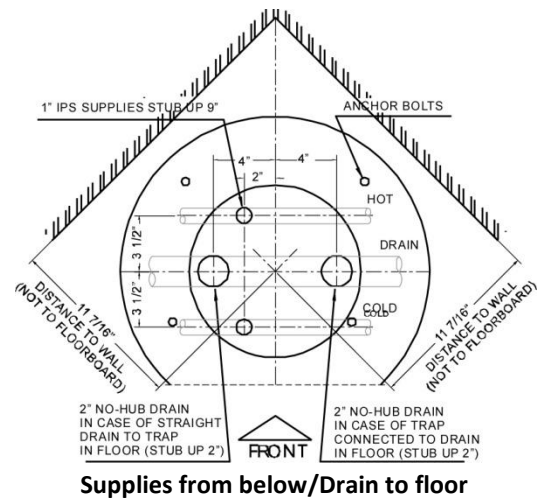
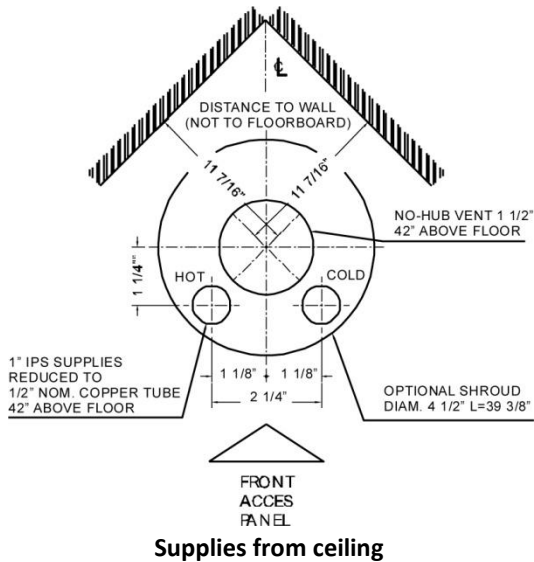
IMPORTANT

- Read instructions entirely prior to installation.
- Prior to hooking up the fixture to the water supply make sure that all the lines are flushed thoroughly.
- All wall anchors should have a pull out strength of 1000 lbs or more.
- Units should always be installed according to local plumbing and/or electrical codes.

Sanispray Individual Foot Installation



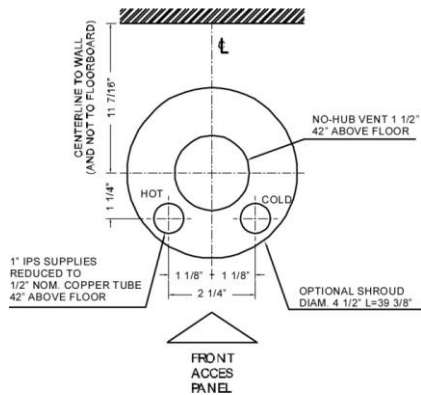
Rough-in Dimensions Corner Units



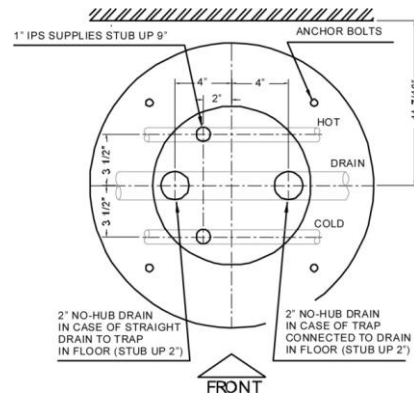
Sanispray Individual Foot Installation



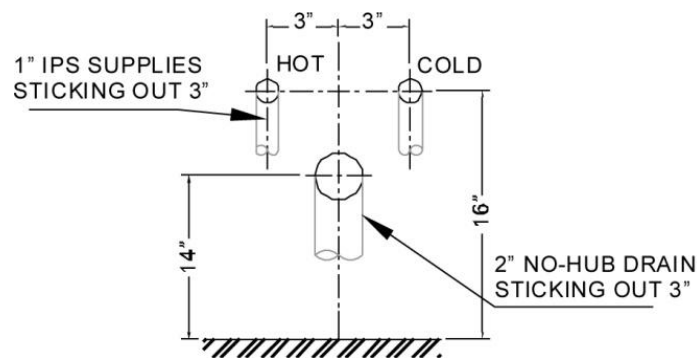
Rough-in Dimensions Semi-Circular Units



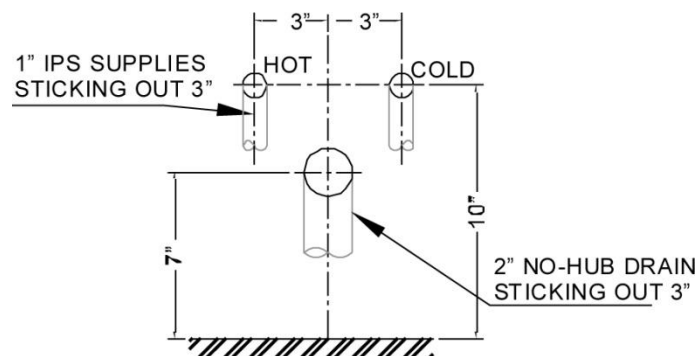
Supplies from ceiling



Supplies from below/Drain to floor



Supplies & drain to wall

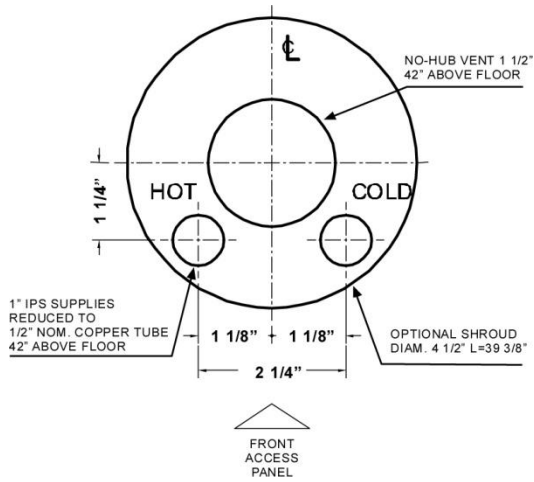


Junior Height Semi-Circular Pedestal

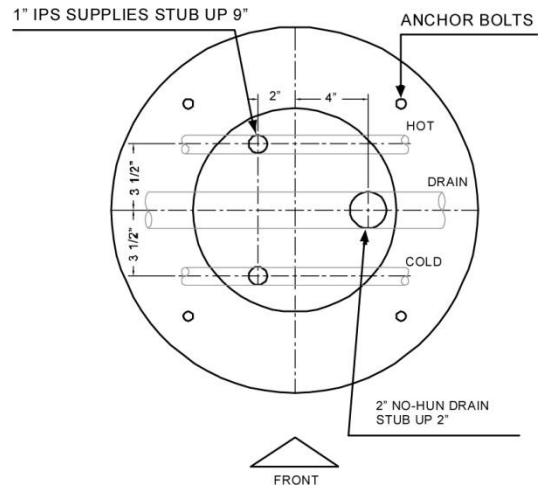
Sanispray Individual Foot Installation



Rough-in Dimensions Circular Units



Supplies from ceiling



Supplies from below

Sanispray Individual Foot Installation



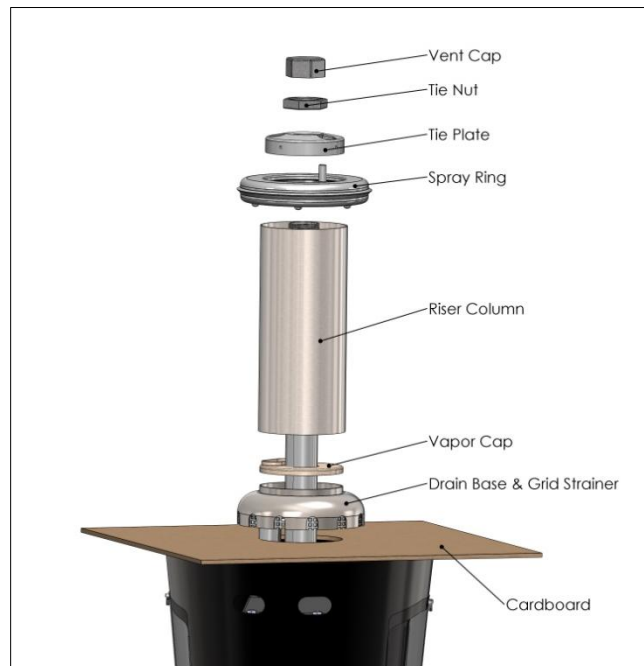
Step 1: Unpack the washfountain

Remove the three main components of the Sanispray from the shipping cartons:

- The pre-assembled pedestal with the riser column
- The bowl box (box may contain one or two bowls)
- The soap dispenser

Step 2: Prepare the pedestal for installation by removing the following

- 1 ½" galvanized vent cap
- 1 ½" galvanized tie nut
- Tie plate
- Sprayring
- Riser column
- Vapor cap
- Drain base with grid strainer
- Cardboard packing board



Step 3: Attach the rubber gasket to the pedestal in case of dislodgement

- Tilt the pedestal on its side and fix the rubber gasket to the bottom of the scuff base
- Check the rubber gasket on the top of the pedestal and reseal if necessary
- Check the gasket on the drain pan and reseal if necessary



Sanispray Individual Foot Installation



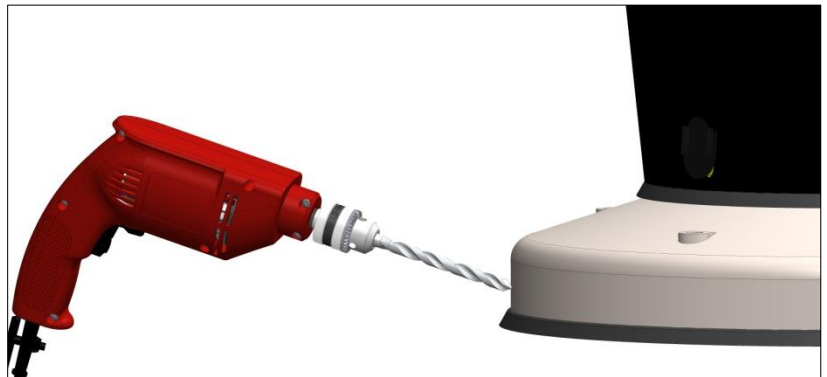
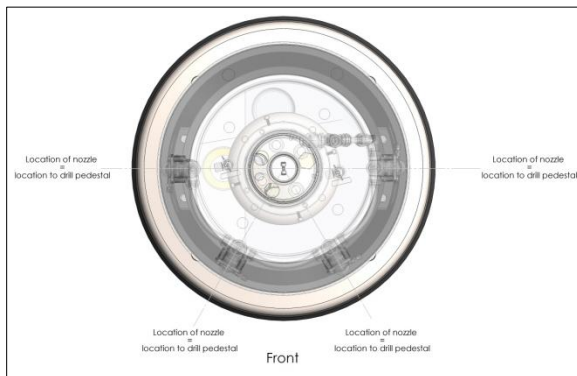
Step 4: Loosen the drain pan

- Loosen the 4 bolts on the side of the pedestal. There are two bolts on each side
- Make sure the bolts have a play of $\frac{3}{4}$ " before proceeding
- **This step is very important to prevent leaking from the drainpan**



Step 5: Prepare the scuff base

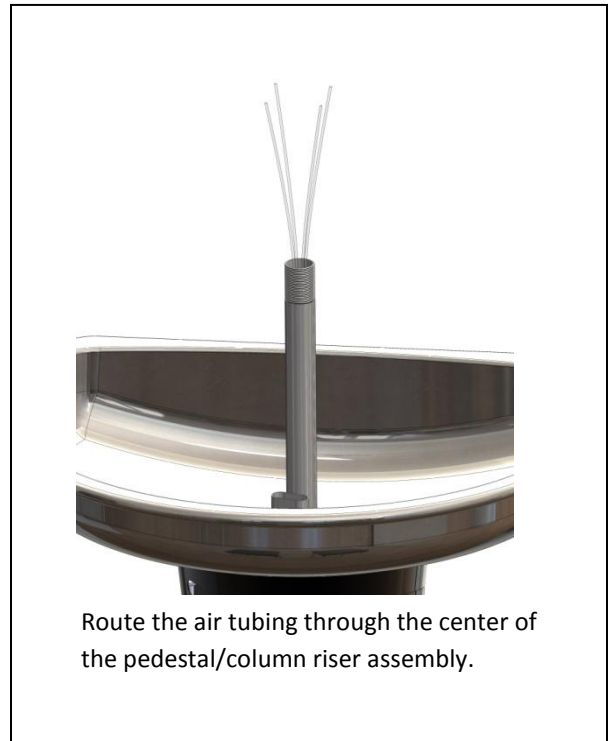
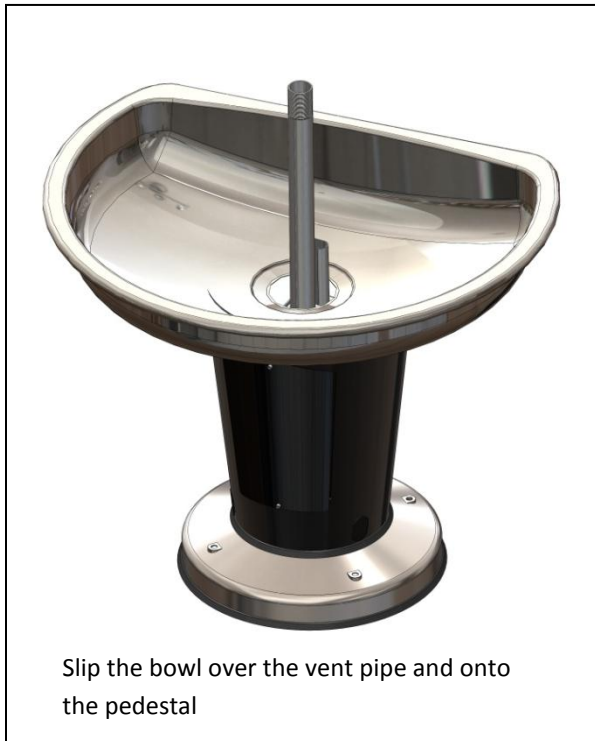
- Mark and drill the appropriate number of holes in the scuff base using the nozzles of the head as template.
- Try to orientate the head so that the access panel is at the front of the unit
- Drill the hole about 1 3/8" from the floor and use a 1/4" drill. We recommend using a cobalt drill bit.



Sanispray Individual Foot Installation



Step 5: Install the bowl



Sanispray Individual Foot Installation



Sanispray Individual Foot Installation



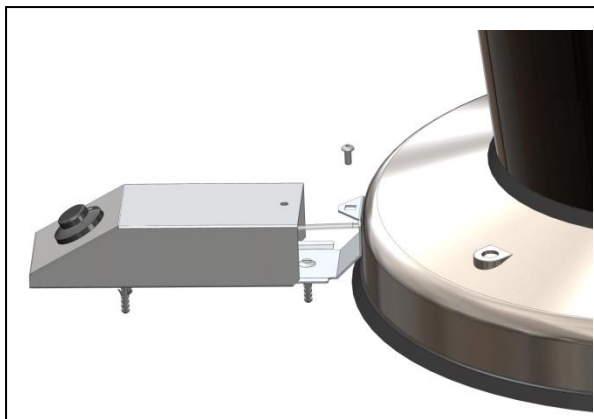
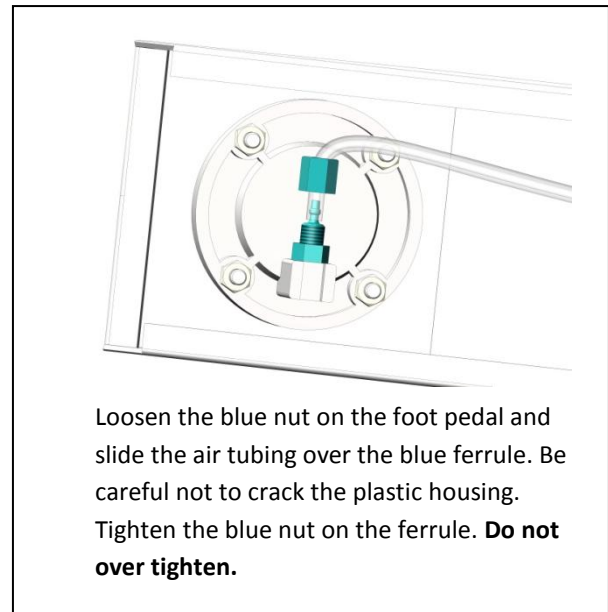
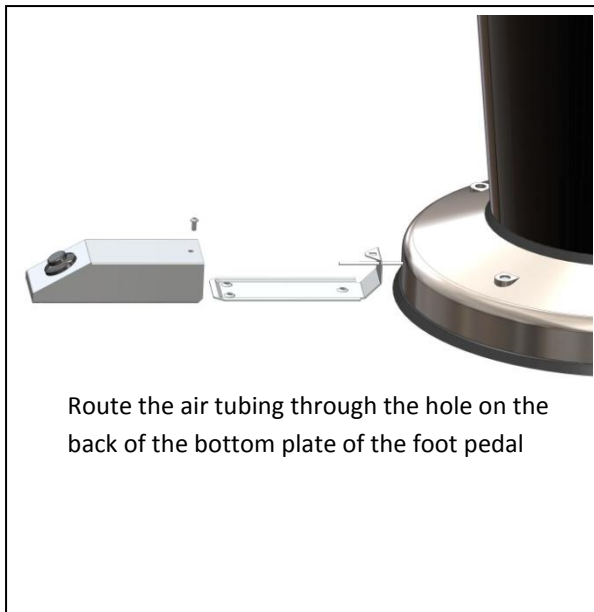
Step 6: Connect the drain

- Move the washfountain to the final installation location and open the access panels
- The rough-in information indicates the position of the anchoring bolts, supplies and drains of the washfountain.

Step 7: Anchor the pedestal to the floor

- Drill the four holes for the anchoring bolts and anchor the washfountain to the floor using the four lag bolts and anchors supplied.

Step 8: Install the foot pedals



Place the bottom plate against the scuff base and anchor it to the floor with the hardware provided.

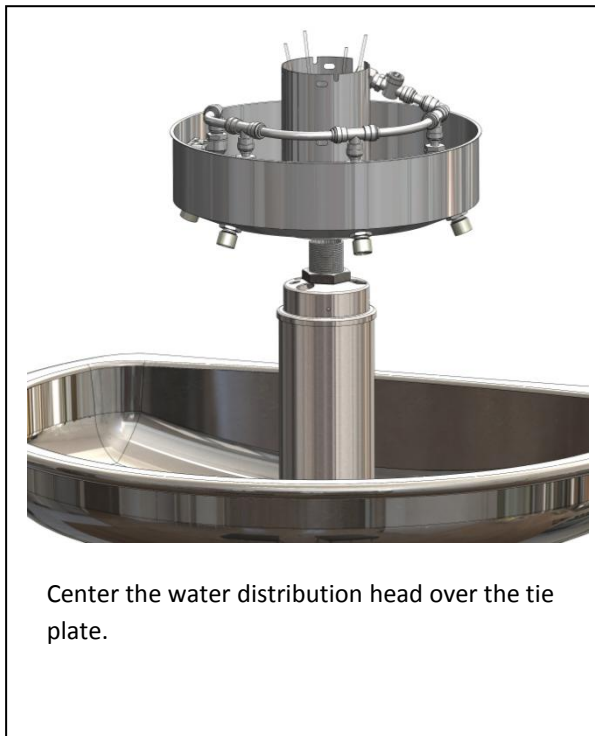
Slide the body of the foot pedal over the base and attach it to the foot pedal base with the allen screw on top of the foot pedal.

Step 8: Connect the water supply

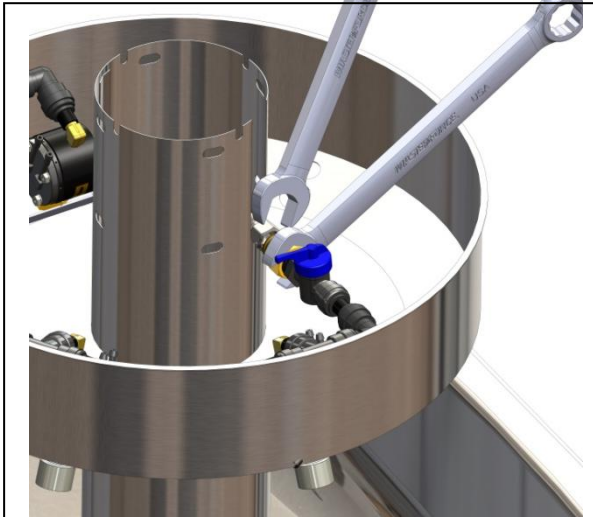
Before connecting the fixture to the water supply make sure that all the lines are free of debris.

- Connect the (optional) flexible supply lines to the water supply. It is advised to use Teflon tape on the threaded couplings.
- When flexible are used, make sure that the flexible lines are not twisted. Sharp bends should be avoided as well. Make sure that hot water supplies are connected to the hot inlet of the mixing valve and cold water to the cold inlet of the mixing valve.

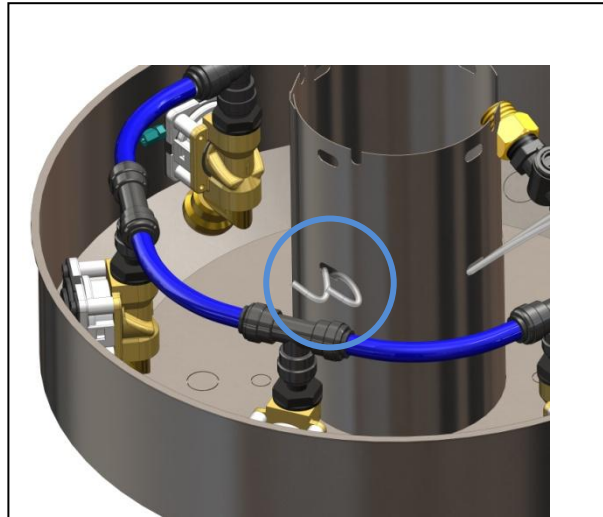
Step 9: Install the head assembly



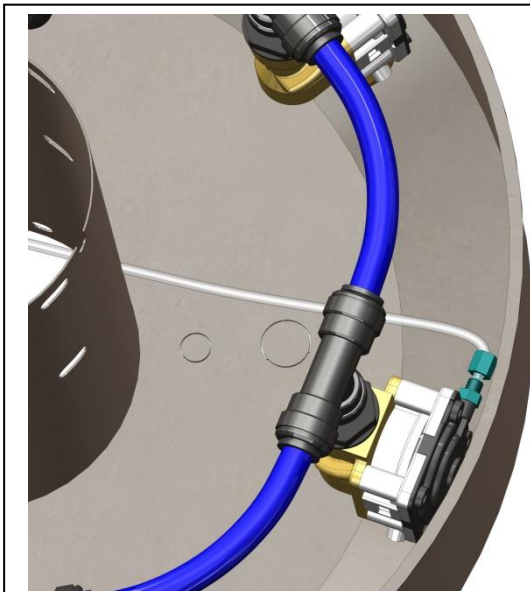
Sanispray Individual Foot Installation



Hook up the flexible supply line to the sprayhead manifold. Always use a second wrench to hold when tightening the flexible to avoid twisting



Route the air tubing through the elongated holes of the center column of the water distribution head.

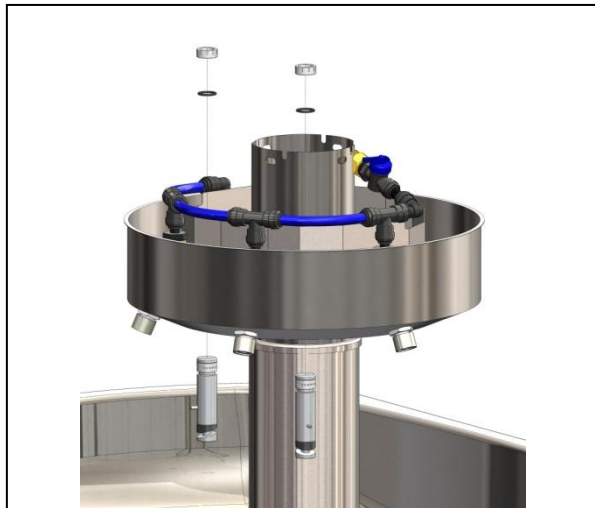


Attach the air tubing to the proper valve:

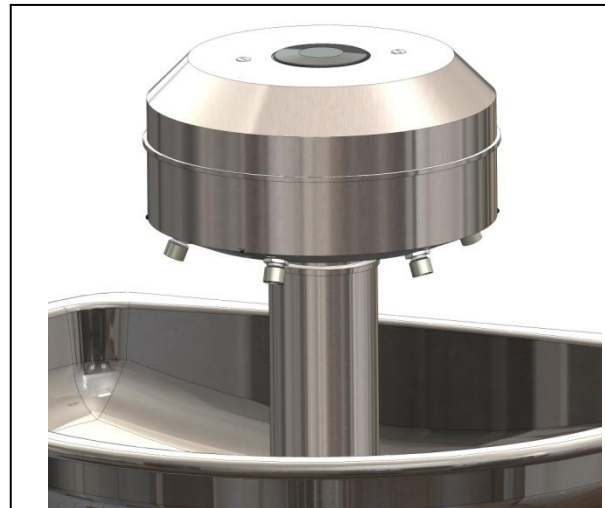
- Push a foot pedal to determine which air tube corresponds with this pedal



- Slide this air tube over the blue ferrule of the valve above the foot pedal
- Tighten the blue nut on the ferrule. **Be careful not to over tighten.**



If the unit comes with the liquid option: install the soap valves through the openings in the bottom of the head. Make sure to install the black o-ring on the **inside** of the soap liner.



Install the lid on the water distribution head and lock with the supplied keys. Leave the keys with the unit for the occupant of the building

Step 10: Adjust the thermostatic mixing valve temperature

- Prior to setting the mixing valve temperature it is necessary to have the hot water source operating at the normal output temperature and the cold water in the full on position. Strainer screens and check valves must be clean and free of debris before making adjustments.
- Test the temperature at the outlet nearest to the mixing valve; allow the water to run for at least one minute to achieve operating temperature.
- Adjust the valve by removing the white cap. Use the supplied wrench to adjust the spindle, clockwise to reduce and counter-clockwise to increase. Replace the cap and wrench when correct temperature is achieved.

Maintenance

Solidsan[®] bowl

Solidsan[®] is a solid surface material made of acrylic modified polyester resins, aluminum trihydrate fillers and color granules. This synthetic compound material has an elegant granite-like appearance. Solidsan[®] is not only virtually indestructible and easy to maintain, but equally matches perfectly from an aesthetic viewpoint, this resulting in a remarkable design with soft, rounded shapes, ideal for the public washroom.

- Daily care: wipe the surface with soapy water or a damp cloth.
- Surface staining: clean the surface with soapy water or ammonia based cleansers.
- Stubborn stains and superficial scratches: clean the surface with an abrasive cleanser and a wet sponge. You can also use a green Scotch Brite[®] pad.
- Stubborn scratches: sand with 400 grit sandpaper and then clean with an abrasive cleanser and a green Scotch Brite[®] pad.
- AVOID contact with harsh chemicals such as drain cleansers and paint removers.
- AVOID contact with hot pots or heat producing appliances.

Stainless steel bowl

Things to Avoid

- Avoid scouring a Stainless steel surface across the satin finish lines. Scouring across the satin finish lines can damage the original Stainless steel grain finish. Never use an abrasive scouring pad.
- Don't allow liquid soap or other household cleansers to dry on the Stainless steel surface. Most brands contain chemical additives, which will affect the finish.
- Never leave solutions of chlorine bleach and water on your Stainless steel surface for extended periods of time. Chlorides, which are found in most soaps, detergents, bleaches, and cleansers, are very aggressive to stainless steel. If left on too long they can cause surface pitting.
- Don't use a steel wool pad to clean your Stainless steel. Steel wool pads have a tendency to break apart and small particles of steel can become embedded in the surface of the sink. The steel particles will rust and will give the appearance that the Stainless steel itself is rusting.
- Never leave wet sponges, cloths, or cleaning pads on the Stainless steel surface. This can lead to surface rust.

Things to Do

- Rinse or clean surface after use. Clean with warm, soapy water.
- Avoid caustic chemicals. Avoid exposing your appliance to strong chemicals, such as paint removers, oven cleaners, etc. If contact occurs, quickly flush the surface with water.
- Follow the grain. When cleaning the Stainless steel surface of your sink, be sure to rub in the direction of the grain finish lines.

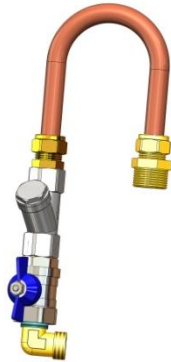
Sanispray Individual Foot Installation



Parts Breakdown



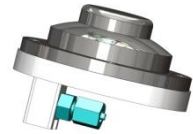
111C
Supply Set



32TEMP
Tempered Supply Set



HC160
Mixing Valve



RKFPB
Repair Kit Foot
Push Button



FPB
Complete Foot
Push Button



P2919
Rubber for FPB



P2920
Plastic Housing for
FPB



SPVL
Liquid Soap Valve



P2869
Air Tubing (per ft)



P5015EH
Valve Assembly
with Elbow
Connector



P5015MH
Valve Assembly
with T-connector



P2801
Gasket Drain Pan



P2802
Gasket Pedestal to
Bowl