

# Installation



Installation Instructions for models:

- CF3
- CF4
- CF5
- CF6
- CF7
- CF8

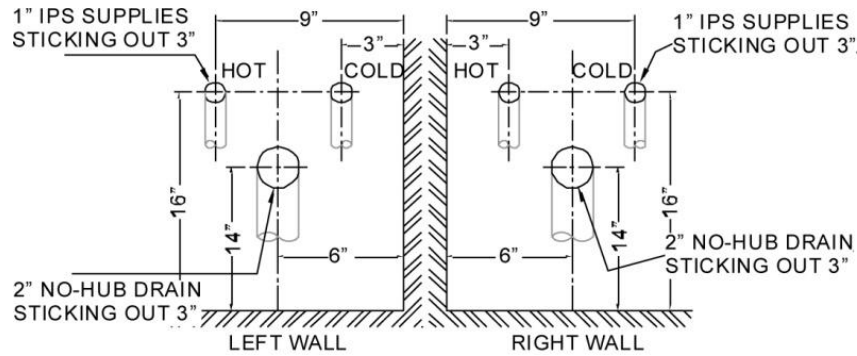
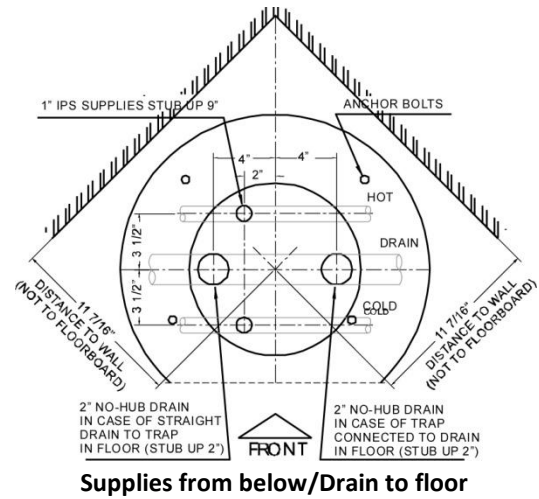
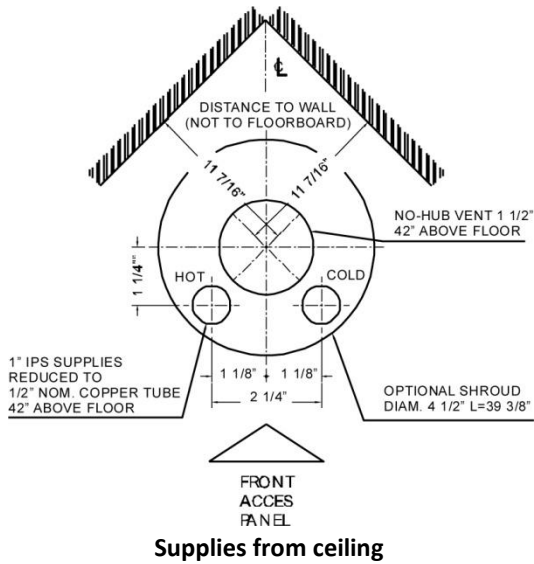
## IMPORTANT

- Read instructions entirely prior to installation.
- Prior to hooking up the fixture to the water supply make sure that all the lines are flushed thoroughly.
- All wall anchors should have a pull out strength of 1000 lbs or more.
- Units should always be installed according to local plumbing and/or electrical codes.

# Sanispray Collective Foot Installation



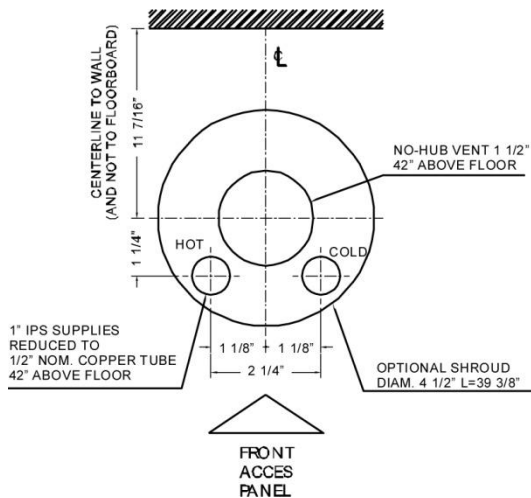
## Rough-in Dimensions Corner Units



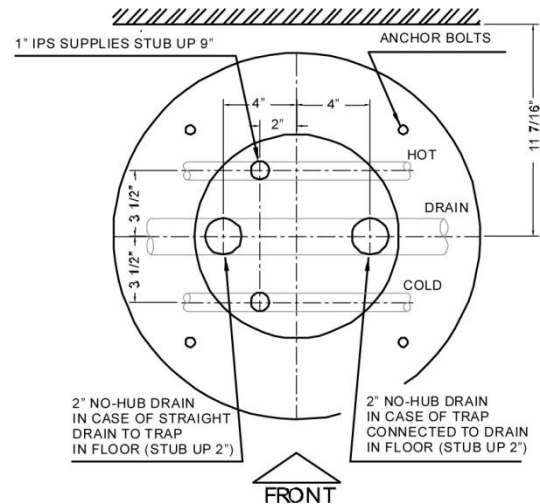
# Sanispray Collective Foot Installation



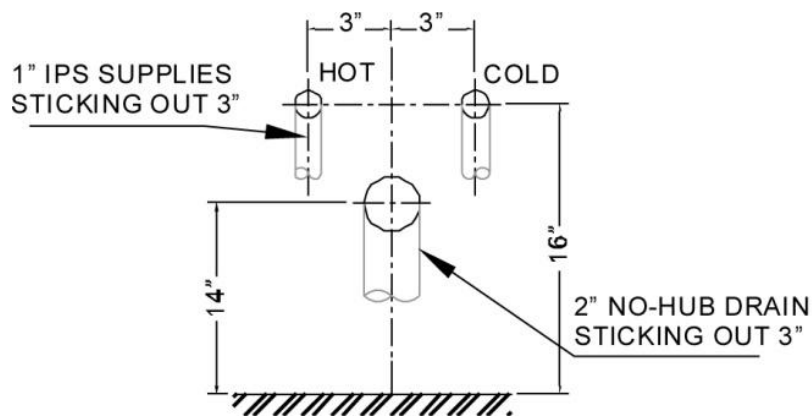
## Rough-in Dimensions Semi-Circular Units



**Supplies from ceiling**



**Supplies from below/Drain to floor**

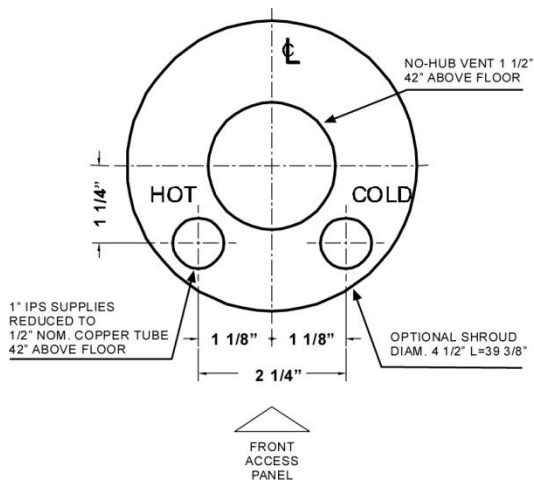


**Supplies & drain to wall**

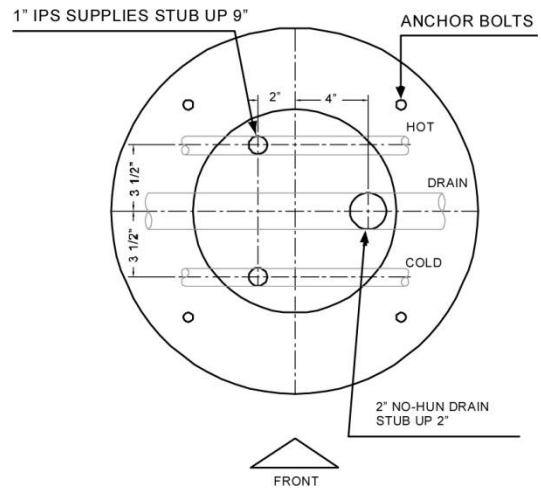
# Sanispray Collective Foot Installation



## Rough-in Dimensions Circular Units



**Supplies from ceiling**



**Supplies from below**

# Sanispray Collective Foot Installation



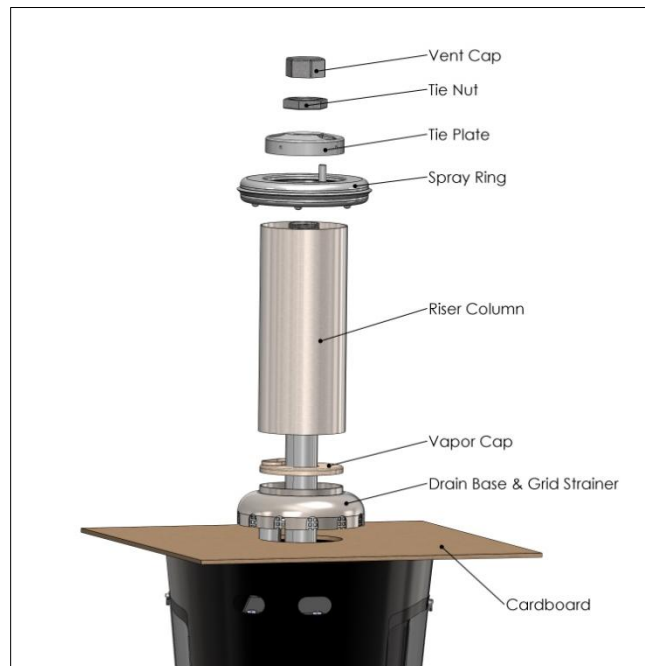
## Step 1: Unpack the washfountain

Remove the three main components of the Sanispray from the shipping cartons:

- The pre-assembled pedestal with the riser column
- The bowl box (box may contain one or two bowls)
- The soap dispenser

## Step 2: Prepare the pedestal for installation by removing the following

- 1 ½" galvanized vent cap
- 1 ½" galvanized tie nut
- Tie plate
- Sprayring
- Riser column
- Vapor cap
- Drain base with grid strainer
- Cardboard packing board



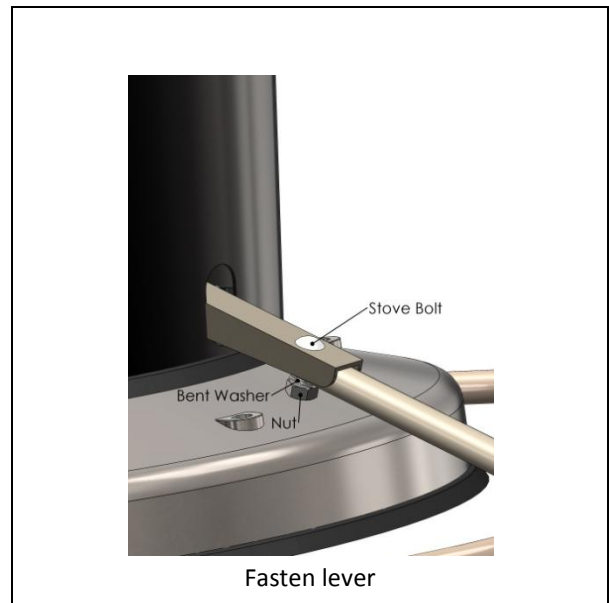
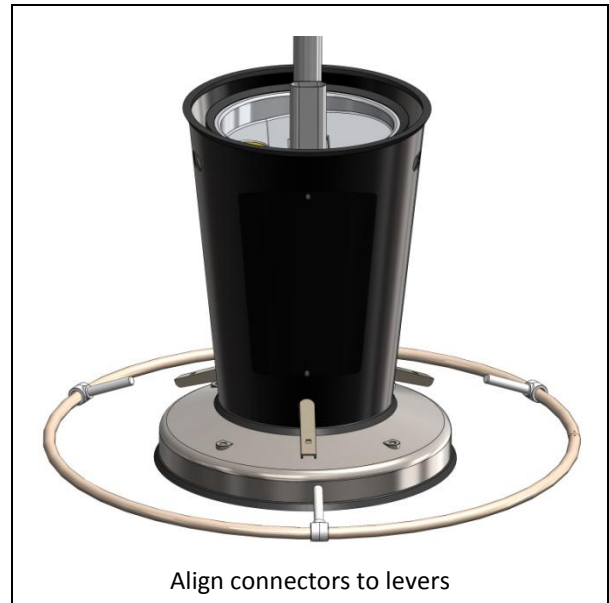
## Step 3: Attach the rubber gasket to the pedestal in case of dislodgement

- Tilt the pedestal on its side and fix the rubber gasket to the bottom of the scuff base
- Check the rubber gasket on the top of the pedestal and reseal if necessary
- Check the gasket on the drain pan and reseal if necessary



## Step 4: Installing the foot rail

- Slip the foot rail over the pedestal (on semi-circular units the foot rail might need to be stretched out to prevent contact with the scuff base)
- Line up the nylon connectors of the foot rail with the levers on the pedestal
- Apply light grease to the nylon connector that inserts into the lengthening lever
- Slip the lengthening lever over the nylon connector
- Fasten the lengthening lever to the pedestal u-lever with the provided stove bolt, bent washers and nut.



## Step 5: Loosen the drain pan

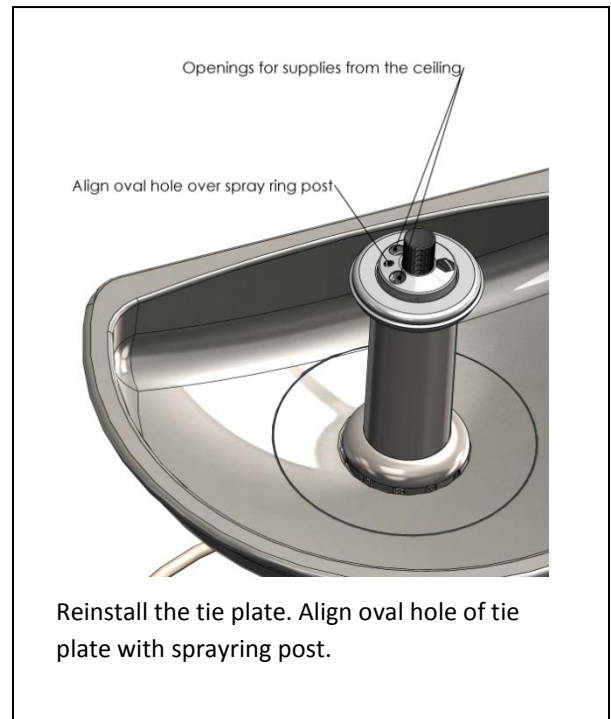
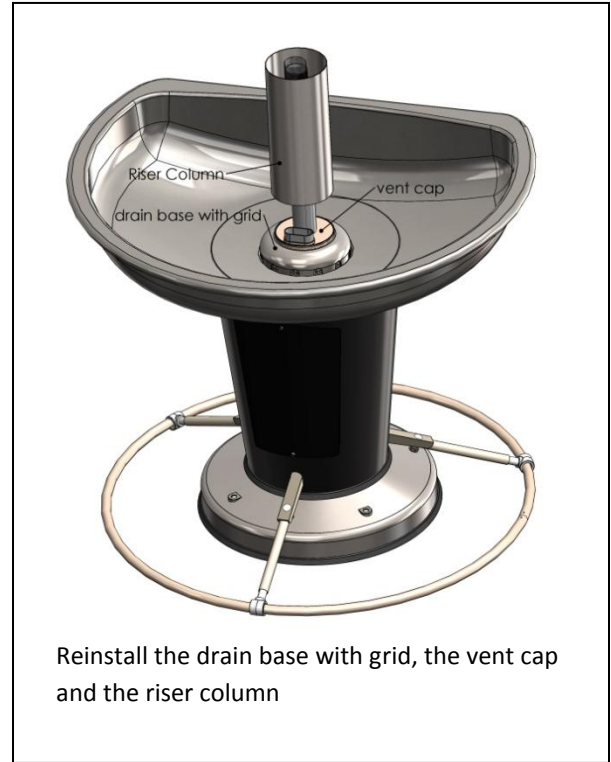
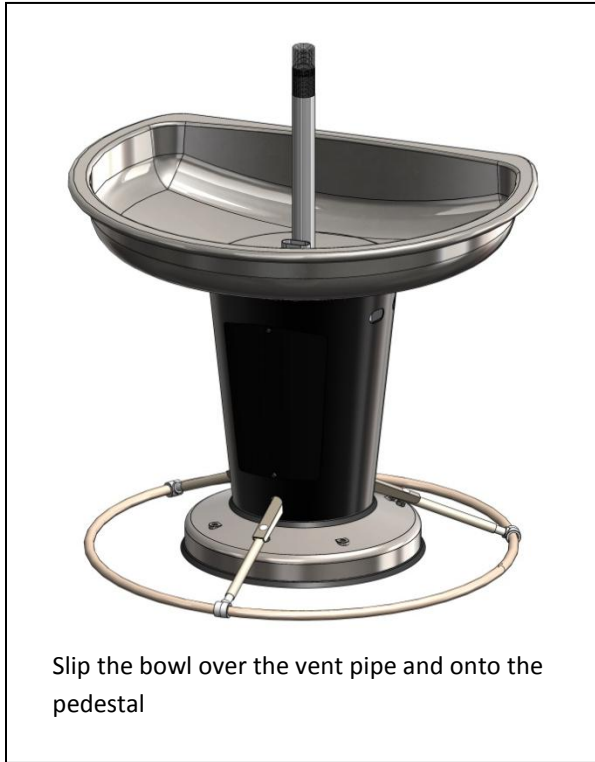
- Loosen the 4 bolts on the side of the pedestal. There are two bolts on each side
- Make sure the bolts have a play of  $\frac{3}{4}$ " before proceeding
- **This step is very important to prevent leaking from the drainpan**



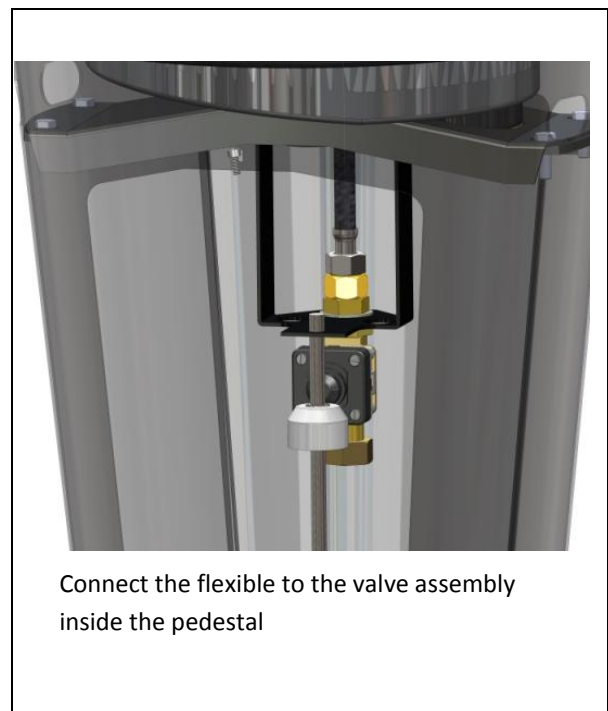


# Installation

## Step 6: Install the bowl



# Installation



# Sanispray Collective Foot Installation



## Step 7: Connect the drain

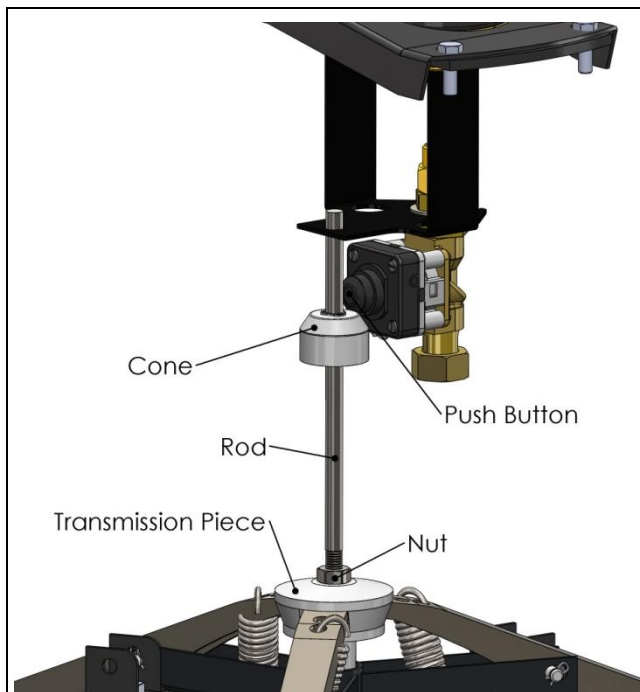
- Move the washfountain to the final installation location and open the access panels
- The rough-in information indicates the position of the anchoring bolts, supplies and drains of the washfountain.

## Step 8: Anchor the pedestal to the floor

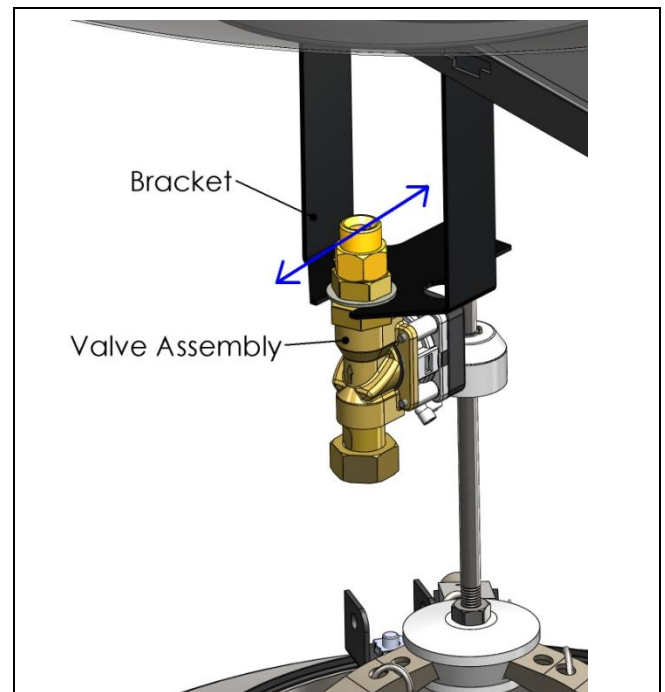
- Drill the four holes for the anchoring bolts and anchor the washfountain to the floor using the four lag bolts and anchors supplied.

## Step 9: Adjust the foot control mechanism

When pushing down on the foot rail the cone should contact the push button causing the water to flow freely. When releasing the foot rail, the water should stop.



Tighten the nut to the transmission piece. Adjust the height of the rod in the transmission piece so that the cone is within 1/8" of the push button when the foot rail is released



The valve can be adjusted horizontally on the bracket so the cone touches the valve push button.

# Sanispray Collective Foot Installation



## Step 10: Connect the water supply

Before connecting the fixture to the water supply make sure that all the lines are free of debris.

- Connect the (optional) flexible supply lines to the water supply. It is advised to use Teflon tape on the threaded couplings.
- When flexible are used, make sure that the flexible lines are not twisted. Sharp bends should be avoided as well. Make sure that hot water supplies are connected to the hot inlet of the mixing valve and cold water to the cold inlet of the mixing valve.

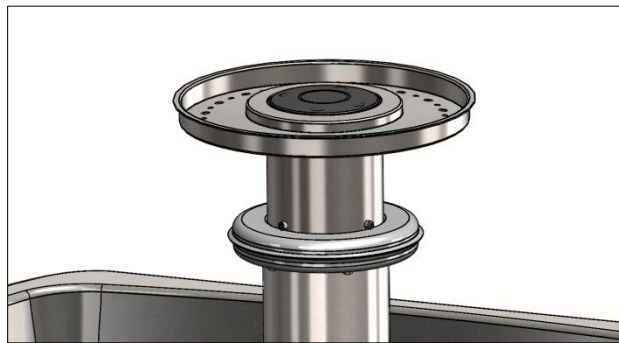
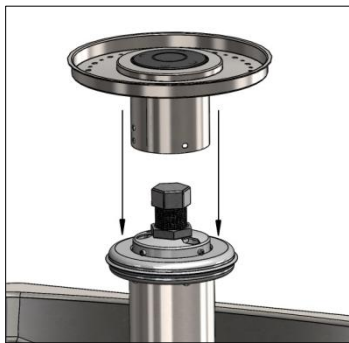
## Step 11: Adjust the thermostatic mixing valve temperature

- Prior to setting the mixing valve temperature it is necessary to have the hot water source operating at the normal output temperature and the cold water in the full on position. Strainer screens and check valves must be clean and free of debris before making adjustments.
- Test the temperature at the outlet nearest to the mixing valve, allow the water to run for at least one minute to achieve operating temperature.
- Adjust the valve by removing the white cap. Use the supplied wrench to adjust the spindle, clockwise to reduce and counter-clockwise to increase. Replace the cap and wrench when correct temperature is achieved.

## Step 12: Installing the soap dispenser

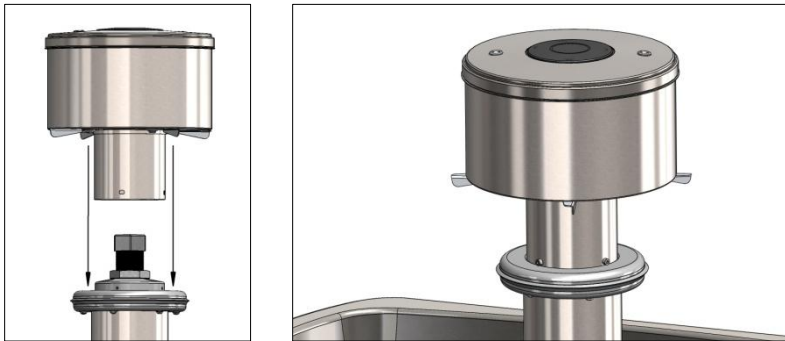
### a. Soap Tray

- Install the soap tray on top of the unit. Line up the holes of the soap tray with the holes in the tie plate.
- Install the allen screws in the tie plate



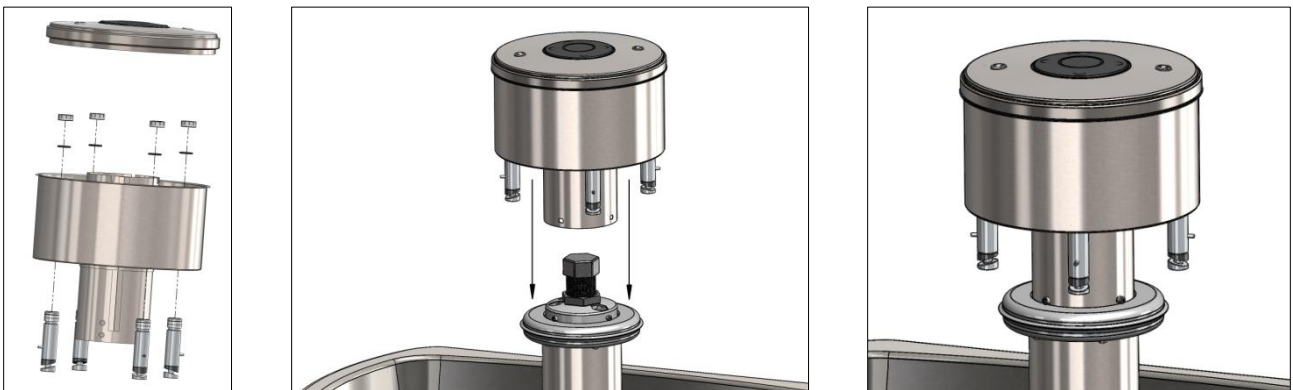
## b. Powdered Soap Dispenser

- Install the soap dispenser on top of the unit. Line up the holes of the soap tray with the holes in the tie plate.
- Install the allen screws in the tie plate
- Unlock the soap reservoir and fill with your preferred powdered soap. Secure both locks for the lid of the soap dispenser.



## c. Liquid Soap Dispenser

- Install the liquid soap valves to the soap dispenser. When installing the liquid soap valves in the reservoir **the O-rings must go between the soap tank liner and the nut**. This will prevent the liquid soap from seeping between the liner and the nut.
- Install the soap dispenser on top of the unit. Line up the holes of the soap tray with the holes in the tie plate.
- Install the allen screws in the tie plate
- Unlock the soap reservoir and fill with your preferred liquid soap. Secure both locks for the lid of the soap dispenser.
- Use liquid soap that contains vegetable/coconut base with 10-15% anhydrous solution. **Do not use soap containing lotion or corrosive additives, iodine or synthetic detergents.**



## Maintenance

### Solidsan<sup>®</sup> bowl

Solidsan<sup>®</sup> is a solid surface material made of acrylic modified polyester resins, aluminum trihydrate fillers and color granules. This synthetic compound material has an elegant granite-like appearance. Solidsan<sup>®</sup> is not only virtually indestructible and easy to maintain, but equally matches perfectly from an aesthetic viewpoint, this resulting in a remarkable design with soft, rounded shapes, ideal for the public washroom.

- Daily care: wipe the surface with soapy water or a damp cloth.
- Surface staining: clean the surface with soapy water or ammonia based cleansers.
- Stubborn stains and superficial scratches: clean the surface with an abrasive cleanser and a wet sponge. You can also use a green Scotch Brite<sup>®</sup> pad.
- Stubborn scratches: sand with 400 grit sandpaper and then clean with an abrasive cleanser and a green Scotch Brite<sup>®</sup> pad.
- AVOID contact with harsh chemicals such as drain cleansers and paint removers.
- AVOID contact with hot pots or heat producing appliances.

### Stainless steel bowl

#### Things to Avoid

- Avoid scouring a Stainless steel surface across the satin finish lines. Scouring across the satin finish lines can damage the original Stainless steel grain finish. Never use an abrasive scouring pad.
- Don't allow liquid soap or other household cleansers to dry on the Stainless steel surface. Most brands contain chemical additives, which will affect the finish.
- Never leave solutions of chlorine bleach and water on your Stainless steel surface for extended periods of time. Chlorides, which are found in most soaps, detergents, bleaches, and cleansers, are very aggressive to stainless steel. If left on too long they can cause surface pitting.
- Don't use a steel wool pad to clean your Stainless steel. Steel wool pads have a tendency to break apart and small particles of steel can become embedded in the surface of the sink. The steel particles will rust and will give the appearance that the Stainless steel itself is rusting.
- Never leave wet sponges, cloths, or cleaning pads on the Stainless steel surface. This can lead to surface rust.

#### Things to Do

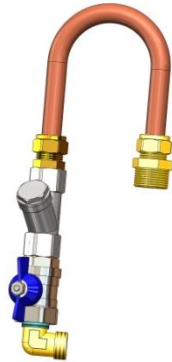
- Rinse or clean surface after use. Clean with warm, soapy water.
- Avoid caustic chemicals. Avoid exposing your appliance to strong chemicals, such as paint removers, oven cleaners, etc. If contact occurs, quickly flush the surface with water.
- Follow the grain. When cleaning the Stainless steel surface of your sink, be sure to rub in the direction of the grain finish lines.

# Installation

## Parts Breakdown



**12CF**  
Control Valve Set



**32TEMP**  
Tempered Supply Set



**HC160**  
Mixing Valve



**P5020**  
CF Valve Assembly



**PT**  
Plastic Treadle



**FPOM**  
Foot Pedal Operating  
Mechanism



**P2815**  
Foot Rail  
Connector



**SPVL**  
Liquid Soap Valve



**P2801**  
Gasket Drain Pan



**P2802**  
Gasket Pedestal to  
Bowl



**P2816**  
Nylon Gasket for  
Spraying



**P2817**  
¼" Black Weather  
Stripping